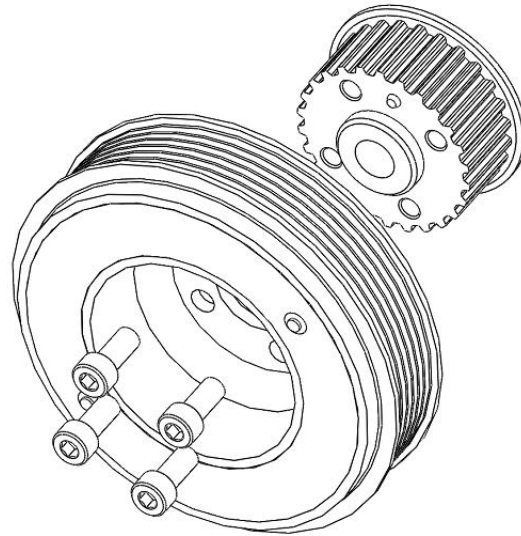


INSTALLATION of P/N 551201 & 551211:

Bolt Fluidampr to existing gear, torque the (4 or 6) M8x1.25 bolts to 10 N-m (7 ft-lbs.) + additional 90° at assembly



Refer to Step 2 – Balancing, Internally Balanced Engines Section

Please contact Customer Tech at Horschel Motorsports-Fluidampr 716-592-1000
(www.fluidampr.com) for any comments, suggestions or questions.

P/N 4NFM01