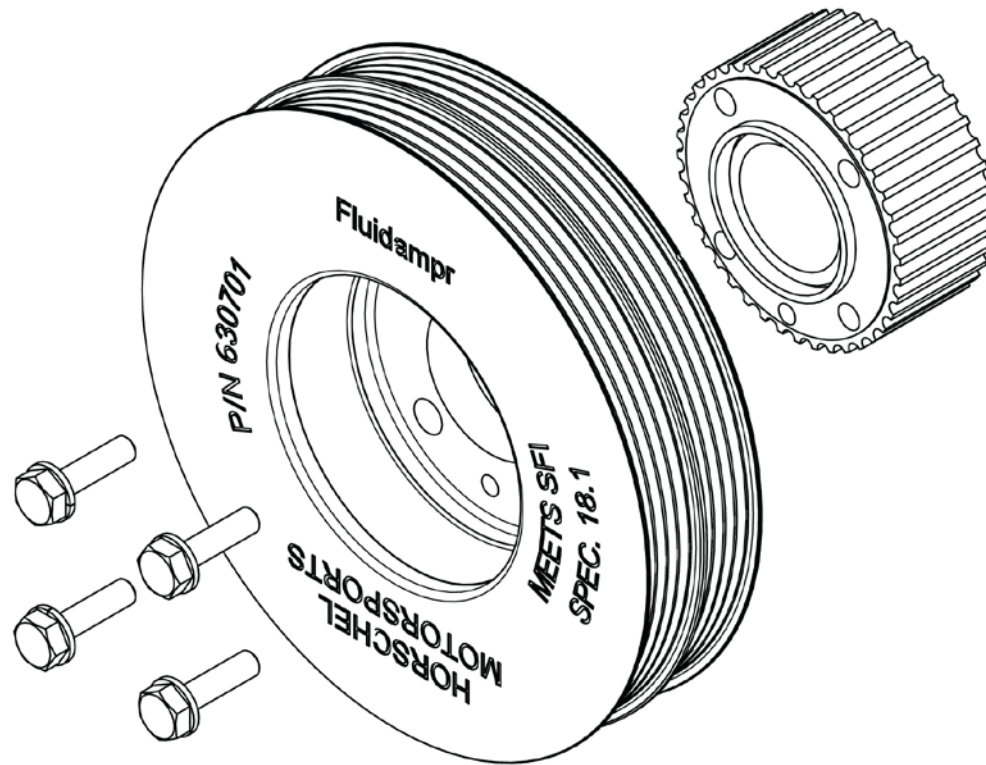


## **INSTALLATION of P/N 610701 & 630701:**

Pre 1995 Models: Before installation, check timing cover clearance.  
Trim plastic cover lip if necessary.

Bolt Fluidampr to existing gear, torque the  
(4) M8x1.25 bolts to 240 in/lbs. (20 ft/lbs.) at assembly



Refer to Step 2 – Balancing, Internally Balanced Engines Section

Please contact Customer Tech at Horschel Motorsports-Fluidampr 716-592-1000

([www.fluidampr.com](http://www.fluidampr.com)) for any comments, suggestions or questions. P/N 4NFF05